

The Haulotte® advantages

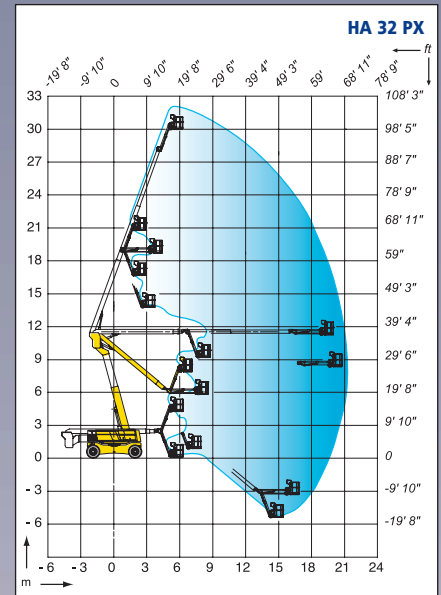
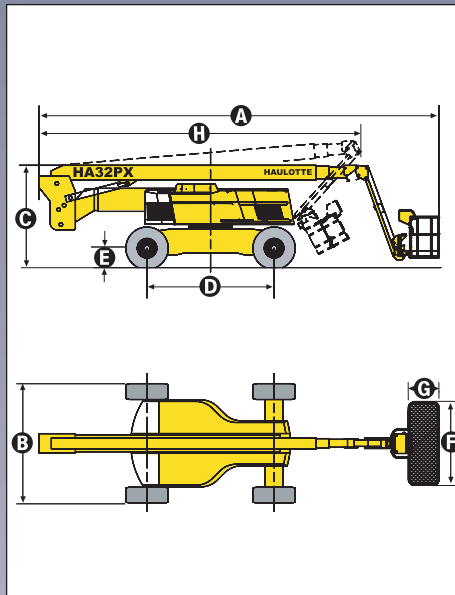
- 104 ft (32 m) working height
- 37 ft 3 in (11.35 m) up and over clearance
- Hydraulic differential lock and 15 in (38 cm) ground clearance for improved rough terrain capability
- Gradeability up to 45%
- Continuous 360° turntable rotation
- Full proportional controls and simultaneous boom functions improve functionality
- Load limiter in platform
- Improved working area through a positive/negative articulating fly jib with 140° movement
- 180° hydraulic platform rotation
- Robust, reliable and easy to maintain design

STANDARD FEATURES

- 4 wheel drive and steer
- 2 extending axles
- Oscillating axle
- Rotating engine tray for easier maintenance
- 5° tilt alarm
- 12 V battery / electrical control system
- Electric emergency group in cage
- Free wheeling device
- Hourmeter
- Slewing block pin
- Towing hooks
- Safe use in winds up to 37.2 mph

OPTIONS & ACCESSORIES

- On-board 3.3 kw generator
- 230 V / 115 V - 16 A power line from chassis to platform
- Hostile environment kit
- Biodegradable hydraulic oil
- Travel alarm
- Rotating beacon
- Working light
- Catalytic exhaust
- Encoded starting device



SPECIFICATIONS

HA 32 PX	
Working height	31.8 m / 104 ft 12 in
Platform height	29.8 m / 97 ft 9 in
Maximum outreach	21.30 m / 69 ft 11 in
Up and over clearance	11.35 m / 37 ft 3 in
Platform capacity	250 kg / 551 lb
Fly jib range of motion	140° (+70° / -70°)
A Length	11.20 m / 36 ft 7 in
B Width	2.50 m / 8 ft 2 in
Width (with extended axles)	3.33 m / 10 ft 11 in
C Stowed height	2.70 m / 8 ft 10 in
D Wheelbase	3.50 m / 11 ft 6 in
E Ground clearance	38 cm / 15 in
F X G Platform size	2.44 m x 0.8 m / 96 in x 32 in
H Travel / transport length	8.90 m / 29 ft 2 in
Travel / transport height	3.30 m / 10 ft 10 in
Tailswing	0.50 m / 1 ft 8 in
Drive speed	5 km/h / 3.1 mph
Outside turning radius	5.10 m / 16 ft 8 in
Turntable rotation (continuous)	360°
Hydraulic platform rotation	180°
Engine	Perkins Diesel 64 kW - 87 hp
Gradeability	45%
Tyres (foam filled)	445 / 65 - 22.5
Hydraulic tank	196 l / 52 gal - 43.10 imp gal
Fuel tank	140 l / 37 gal - 30.79 imp gal
Weight	21 100 kg / 46 118 lb

AS1418.10

